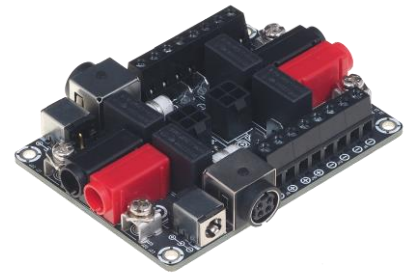


Interface Board Series

Mid Power Supply Breakout Board (MB-BB31112)



Overview:

In order to help customers simplify the wiring, Sure Electronics has released an interface board – Mid Power Supply Breakout Board with various commonly used terminals, which greatly improve the efficiency and convenience. Please kindly be noted that **all the POSITIVE on the board are connected and all the NEGATIVE are connected**. The only difference is on the used connectors. Customers can use this board for power supply or audio signal transmission.

Distributors:



All Audio Amplifier boards are complied with ROHS and they are pre-tested with our power supply solution to comply with FCC and CE. We could provide FCC, CE and RoHs certifications for customers' convenience. The test reports will be provided upon requests by e-mails only for customers who apply for bulky purchase of MOV USD\$10,000 or MOQ 500pcs.

Ready for:



Contact Info

- Email:
info@wondom.com
info@sure-electronics.com
- Website:
www.wondom.com
store.sure-electronics.com

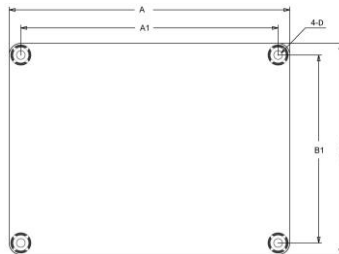
Applications:

- Home DIY
- Industrial Applications
- Commercial Applications

Application Notes:

1. Please do not put this board on metal otherwise it would be short circuit.
2. Please take reference to "Connections" for the withstand voltage and withstand current of various terminals.

Dimensions

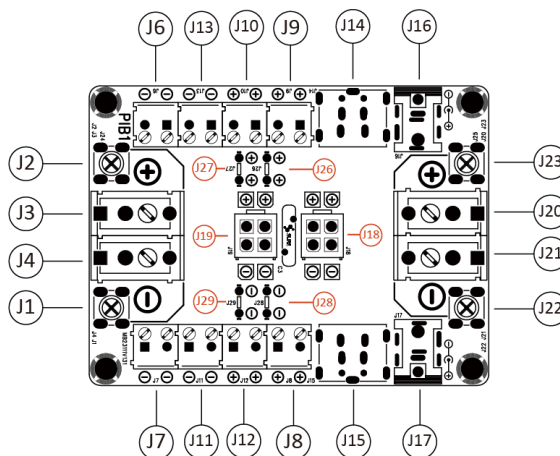


A (inch/mm)	A1 (inch/mm)	B (inch/mm)	B1 (inch/mm)	D (inch/mm)
3.60/91.44	3.30/83.8	2.70/68.6	2.40/61.0	0.14/3.6

Notes:

- All dimensions are typical in inches/mm
- Tolerance x.xx = $\pm 0.02(\pm 0.50)$

Connections



Banana Jack

J3, J4, J20, J21
Voltage: 30VAC / 60VDC
Current: Max. 24A

Flag Connector

J26, J27, J28, J29

Screw Terminal

J1, J2, J22, J23
Current: Max. 40A

DC Jack 5.5mm/2.5mm

J16, J17

DIN 4Pin Jack

J14, J15

RJ128 Terminal

J9, J10, J13, J6, J7, J11, J12, J8, J15

Molex Mini-Fit 4Pos 4.2mm

J18, J19
Current: Max. 13A
AWG 16 - 28

All the POSITIVE on the board are connected. All the NEGATIVE on the board are connected.

Sure Electronics
Make Your Audio Application Simple!

NO.9, Weidi Road, Xianlin University City, Qixia District, Nanjing, Jiangsu Province, P.R.C

