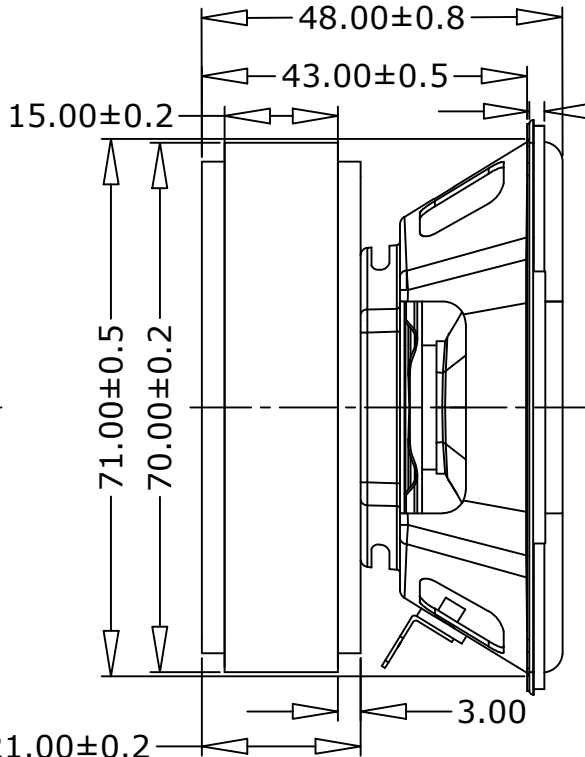
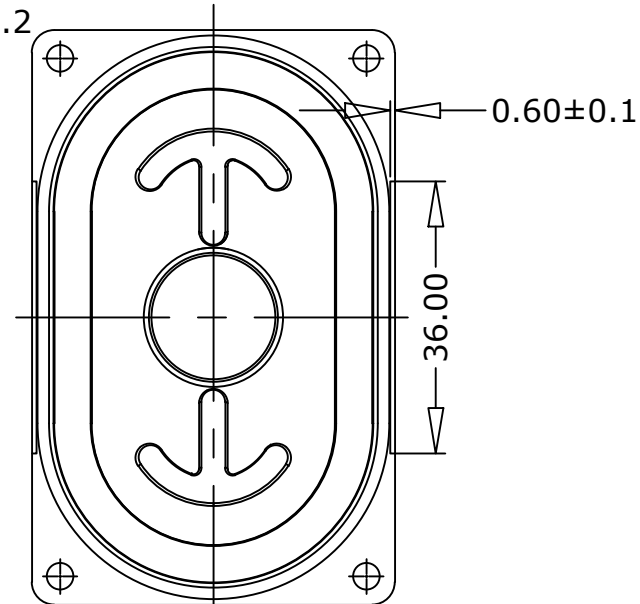


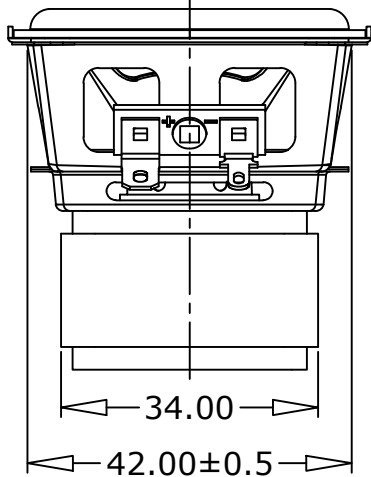
Back View



Side View



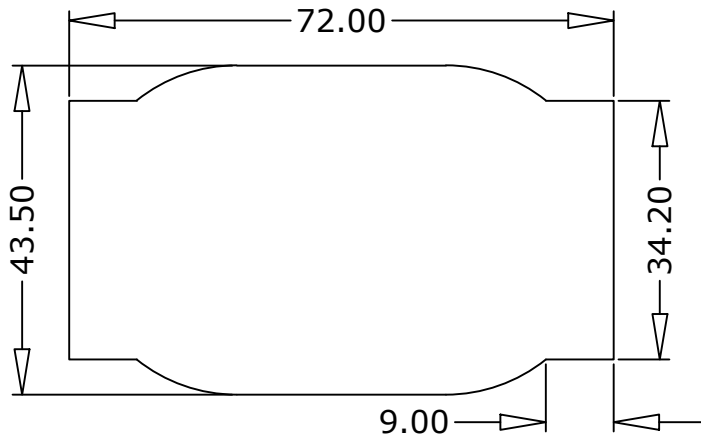
Front View



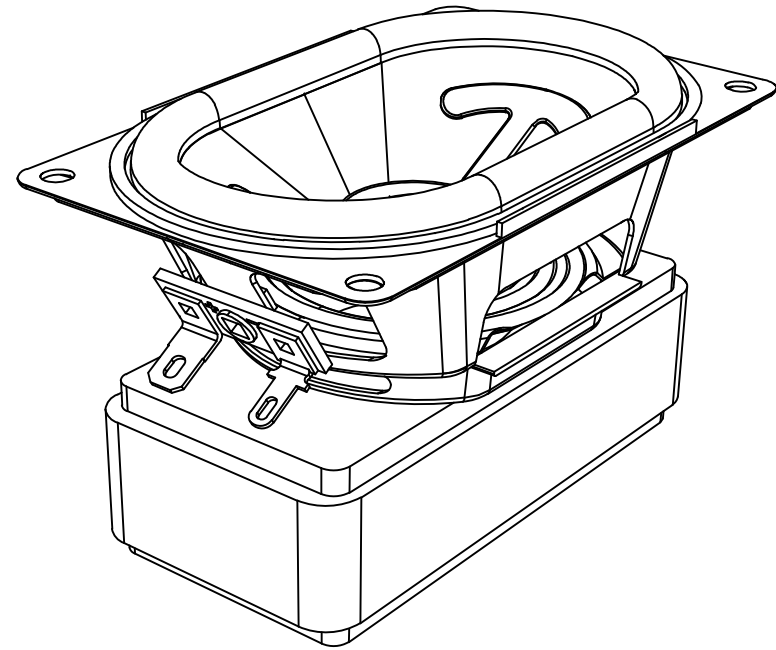
Top View

Note: Take tolerance reference from the title block unless specified in the diagram.

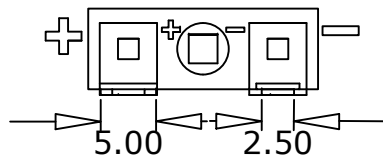
TOLERANCE	DRAWN BY	VERIFIED BY	COUNTERSIGNED BY	SCALE	1 : 1	MATERIALS	TITLE	3RD Angle Projection of Speaker Unit Full Range 80mm x 50mm 15W
XY ± 0.2mm	S.SABRI	N. ZULNAZME	Z.CHENG	UNIT	Millimeter	FINISH		
Z ± 0.2mm	ISSUED 10.03.2021			3RD ANGLE PROJECTION		DRAWING No.	SUF8515-01-01-01	
REVISION	Designed by: Berrybak Sdn.Bhd. for Wondom Audio Technology & Sure Electronics Co.,Ltd.							
1.00								



Installation Hole



3D View



Speaker Connector Details

Note: 1) 3D view and illustration for speaker connector are not 1:1 scale.
 2) Take tolerance reference from the titleblock, unless specified in the diagram.

TOLERANCE	DRAWN BY	VERIFIED BY	COUNTERSIGNED BY	SCALE	1 : 1	MATERIALS	TITLE	3RD Angle Projection of Speaker Unit Full Range 80mm x 50mm 15W
XY \pm 0.2mm	S. SABRI	N. ZULNAZME	Z. CHENG	UNIT	Millimeter	FINISH		
Z \pm 0.2mm	ISSUED 10.03.2021			3RD ANGLE PROJECTION			DRAWING No.	SUFR8515-01-01-02
REVISION	Designed by: Berrybak Sdn.Bhd. for Wondom Audio Technology & Sure Electronics Co.,Ltd.							
1.00								